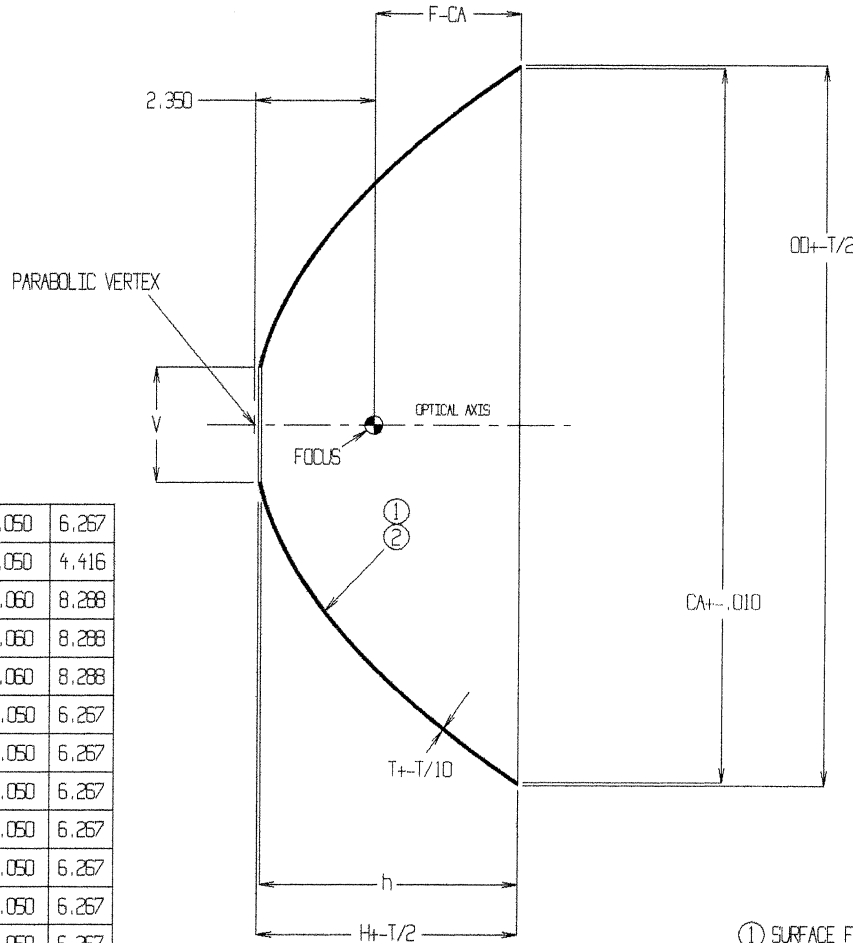


ALL CONCEPTS CONTAINED WITHIN THIS DRAWING ARE PROPRIETARY TO PHOENIX ELECTROFORMED PRODUCTS, INC.
AND MAY NOT BE CONVEYED TO THIRD PARTIES WITHOUT WRITTEN CONSENT

REVISIONS				
ZONE	REV	DESCRIPTION	DATE	APPROVED



.20	4.000	18.000	18.113	8.246	8.191	.050	6.267
.19	2.500	15.950	16.066	6.652	6.600	.050	4.416
.18	4.000	20.000	20.133	10.278	10.213	.060	8.288
.17	3.000	20.000	20.133	10.462	10.399	.060	8.288
.16	2.500	20.000	20.133	10.534	10.472	.060	8.288
.15	3.500	18.000	18.113	8.345	8.291	.050	6.267
.14	3.000	18.000	18.113	8.430	8.378	.050	6.267
.13	2.500	18.000	18.113	8.502	8.451	.050	6.267
.12	2.250	18.000	18.113	8.534	8.482	.050	6.267
.11	2.000	18.000	18.113	8.562	8.511	.050	6.267
.10	1.500	18.000	18.113	8.608	8.557	.050	6.267
.09	.750	18.000	18.113	8.652	8.602	.050	6.267
.08	3.500	14.000	14.120	4.940	4.887	.050	2.863
.07	3.000	14.000	14.120	5.026	4.973	.050	2.863
.06	2.500	14.000	14.120	5.098	5.047	.050	2.863
.05	2.000	14.000	14.120	5.157	5.106	.050	2.863
.04	1.500	14.000	14.120	5.204	5.153	.050	2.863
.03	3.500	20.000	20.133	10.376	10.312	.060	8.288
.02	.750	14.000	14.120	5.248	5.198	.050	2.863
.01	2.250	14.000	14.120	5.130	5.078	.050	2.863
#	V	CA	CD	H	h	T	CA-F

- ① SURFACE FINISH 80-50 SCRATCH-DIG PER MIL-D-13830A
- ② AVAILABLE REFLECTIVE ENHANCEMENT COATINGS:
 AU ELECTRO-DEPOSITED GOLD
 AF VACUUM DEPOSITED ALUMINUM / MAGNESIUM FLUORIDE (MgF2) OVERCOAT
 AO VACUUM DEPOSITED ALUMINUM / QUARTZ (SiO2) OVERCOAT
 RH ELECTRO-DEPOSITED BRIGHT RHODIUM

PARABOLIC EQUATION
 $Y^2=4FX$ $F= 2.350$

<small>UNLESS OTHERWISE SPECIFIED DIMENSIONS ARE IN INCHES TOLERANCES ARE FRACTIONS DECIMALS INCHES W-1/16 XX W-.02 W-1/2 DEC XXX W-.005</small>	MATERIAL ELECTROFORMED NICKEL	PHOENIX ELECTROFORMED PRODUCTS, INC.
	CONTRACT NO.	
FINISH 63 ✓ <small>UNLESS OTHERWISE SPECIFIED</small>	APPROVALS DRAWN LB DATE 10-8-08	SIZE CASE CODE DWG NO PAG REV SCALE SHEET
DO NOT SCALE DRAWING	CHECKED ENGR DESIGN ACTIVITY	